



MATAKANA

WHITE



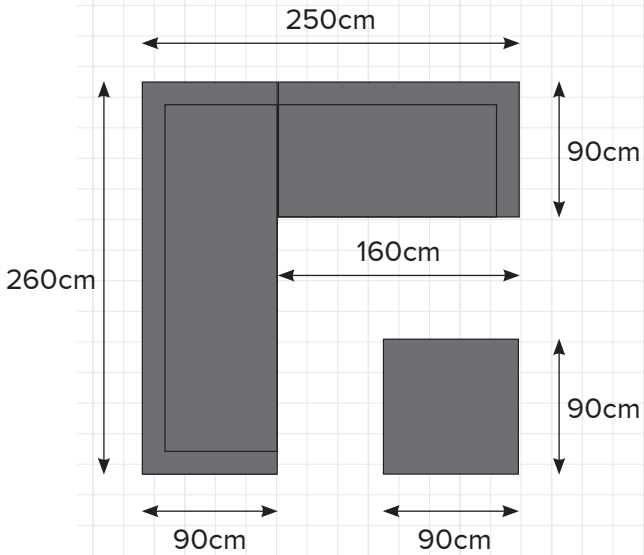
DESIGN
CONCEPTS

PREMIUM OUTDOOR FURNITURE

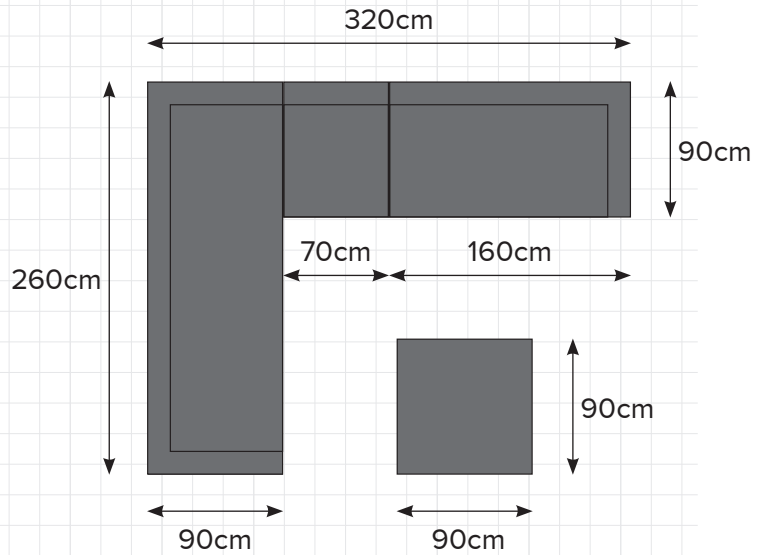
MATAKANA: WHITE

LEFT HAND OPTIONS

DOUBLE CONFIGURATION

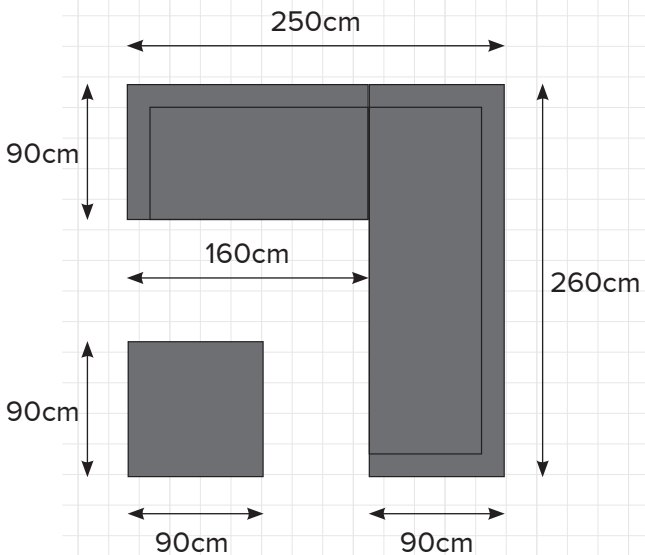


TRIPLE CONFIGURATION

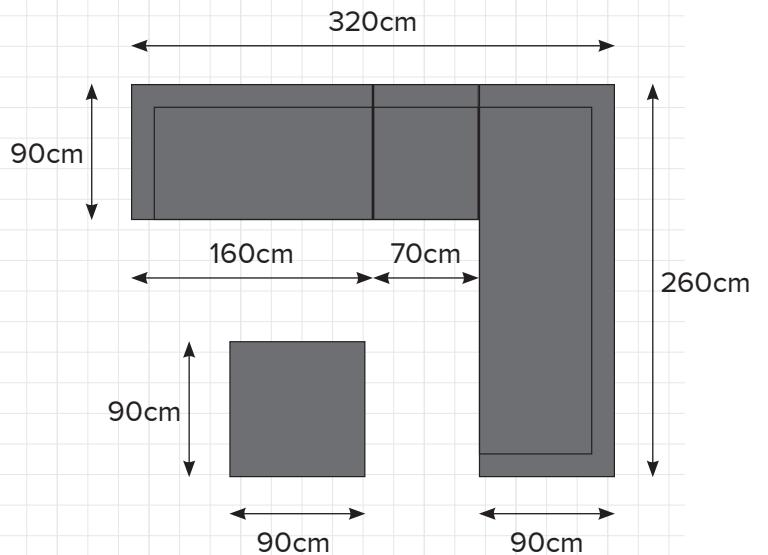


RIGHT HAND OPTIONS

DOUBLE CONFIGURATION



TRIPLE CONFIGURATION



VISIT OUR STORE

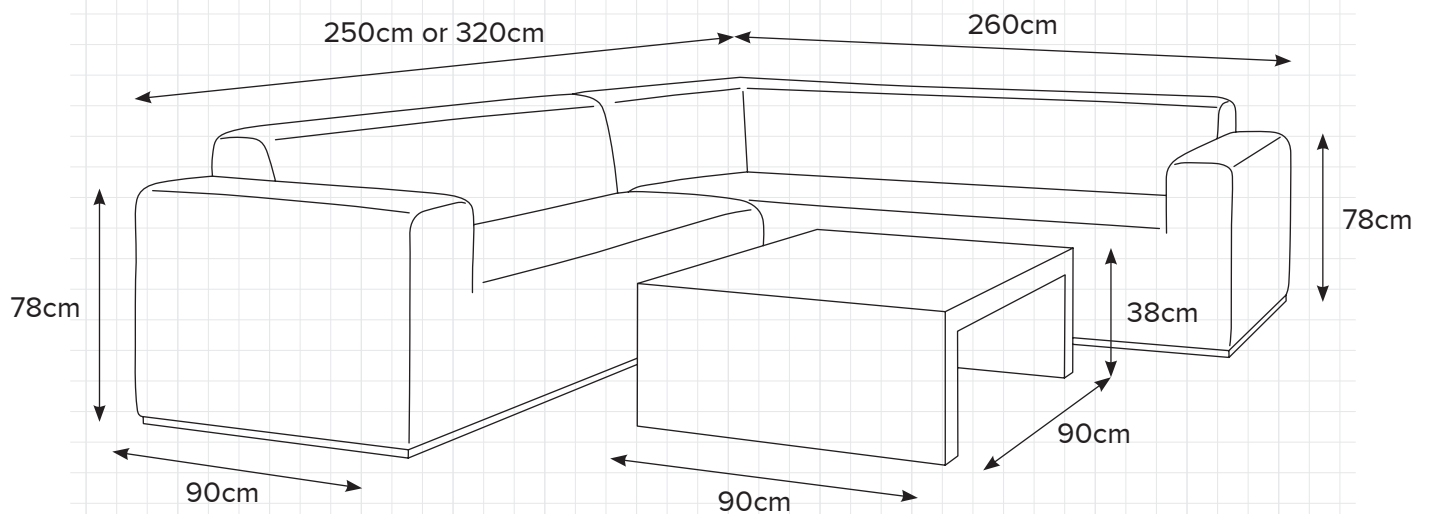
72 Barrys Point Road
Takapuana
Auckland

CONTACT US

0800 468 836
sales@designconcepts.co.nz
designconcepts.co.nz

 **DESIGN
CONCEPTS**
PREMIUM OUTDOOR FURNITURE

MATAKANA: WHITE



- Stylish suave and sophisticated design
- Beautiful stitching detail that softens the look, and enhances the appearance
- Comfort and durability that you would not imagine from the look of this set
- Durable and hard wearing powder coated aluminium frame, so no rust or deterioration in years to come
- Matte White frame colour with Sunbrella Lead Chine fabric as pictured
- Sunbrella Fabric and Quick Dry foam are an unbeatable combination for NZ outdoors
- 100% Outdoor furniture – 100% of the year
See our warranty
- Add a centre piece or two to increase the size



VISIT OUR STORE

72 Barrys Point Road
Takapuana
Auckland

CONTACT US

0800 468 836
sales@designconcepts.co.nz
designconcepts.co.nz

 **DESIGN
CONCEPTS**
PREMIUM OUTDOOR FURNITURE