



DESIGN
CONCEPTS

OMAHA

OUTDOOR SOFA



[designconcepts.co.nz](https://www.designconcepts.co.nz)

Omaha Family

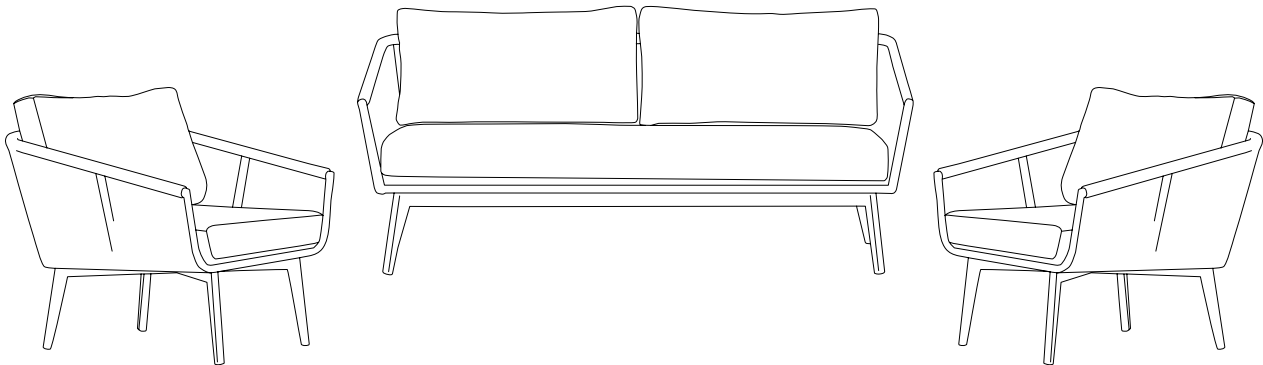
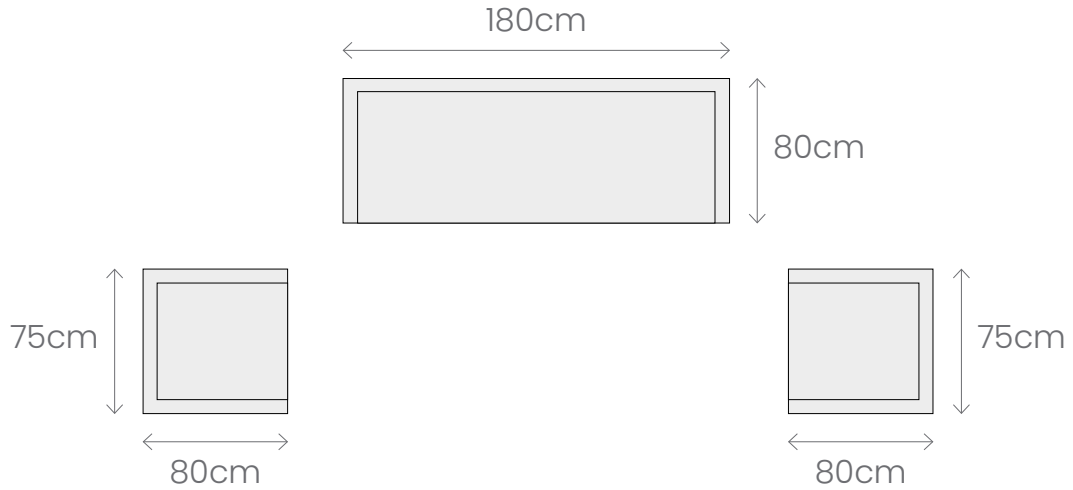


Single Sofa
W75 D80 H70



Double Sofa
W180 D80 H70

Plan View





5
YEAR
Fabric Warranty

2
YEAR
Frame & Foam Warranty

 UV/Fade Resistant

 Mold/Mildew Resistant

 Rust-free Frame

 Breathable Comfort

 Quick-dry Foam

 Free-draining Cushions

Keep in touch

0800 468 836

sales@designconcepts.co.nz

designconcepts.co.nz

72 Barrys Pt Rd, Takapuna, Akl



 **DESIGN
CONCEPTS**
PREMIUM OUTDOOR FURNITURE

For care and maintenance info visit www.designconcepts.co.nz/careinformation