

## MODEL



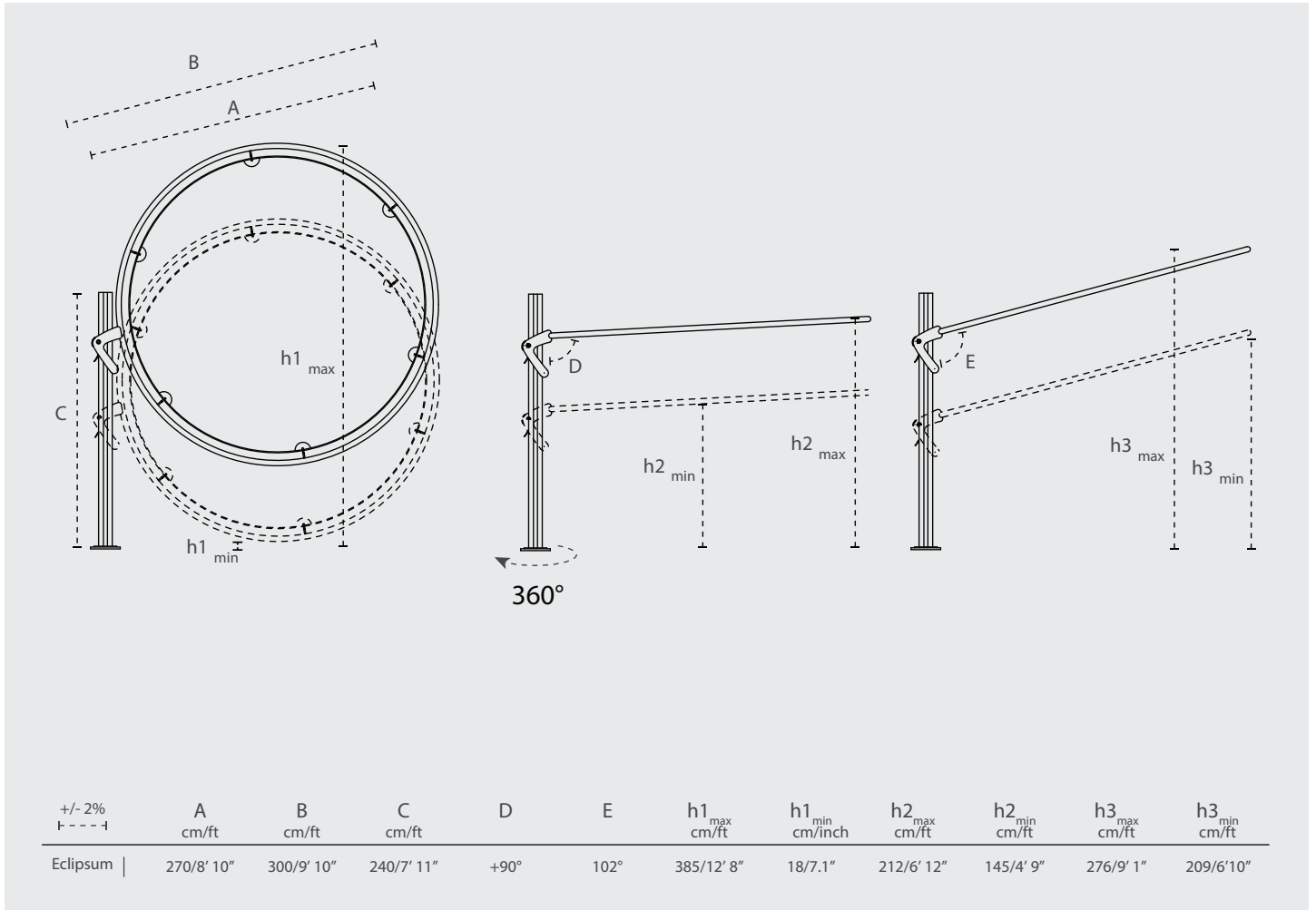
## POSITIONS



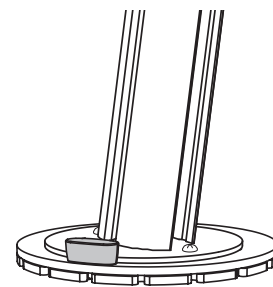
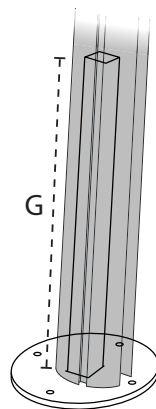
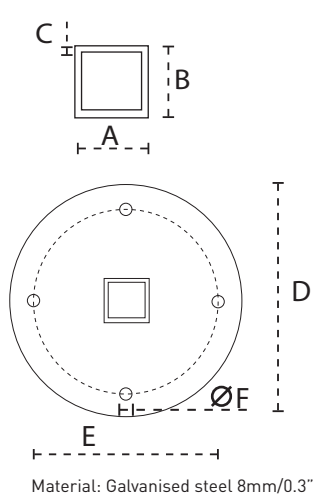
## COLORS



DIMENSIONS



ROUND SUPPORT

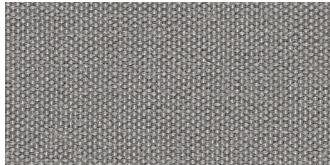


Geomet (marine grade)  
coated steel 8mm/0.3"  
Nylon 1mm/0.04"

	A	B	C	D	E	F	G
	mm/inch	mm/inch	mm/inch	mm/inch	mm/inch	mm/inch	mm/inch
Round support	60/2.36"	60/2.36"	3/0.12"	215/8.5"	170/6.7"	11/0.43"	490/17.3"

For non-permanent base options – see spec sheet Installation Options

## MATERIALS



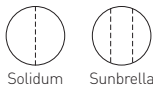
### FABRIC

Solidum – 100% Acryl 255 gr/m<sup>2</sup>

Sunbrella – 100% Acryl 260 gr/m<sup>2</sup>

More details – see spec sheet Fabrics

Confection Scheme:



### RIBS

Glass fiber Ø 6mm/0.23"



### POLE

Naturally anodized aluminum



### OTHER MATERIALS

Handle: stainless steel plate 316 (6mm/0.23")

Hooks: Aluminum powder coated RAL 7074 TEC

Ring fixation: stainless steel 304 (as from April 2018 – stainless steel 316)

For projects – consult Umbrosa for powder coating finish options (RAL).

## PACKAGING & TRANSPORT

Eclisum	L (cm)	W (cm)	H (cm)	Weight (kg)	L (")	W (")	H (")	Weight (lbs)
Umbrella box	247	40	48	50	8'1"	1'3"	1'7"	121

## NICE TO KNOW

- Spare parts available
- Designed and manufactured in Belgium
- Warranty between 15 and 2 years, see Warranty Sheet
- Manual included
- Storage bag included (PU coated fabric)
- Wind speeds up to 6 beaufort, 50 km/h, 31 mph when base is permanently fixed
- Tested at TU Delft

The content of this document, in particular the mentioned models, is protected by copyrights and/or design rights. The present document and its content is communicated to you for information purposes only. Any partial or total reproduction or any other use without our prior written permission is strictly prohibited. This technical sheet remains subject to possible changes. Of course we do our best to eliminate all mistakes, but Umbrosa is not responsible for the errors in the documentation of products. All measurements are approximate and are provided for informational purposes only.