

# Growdrop

M, L

As the smallest member of the collection, Growdrop embodies the character of the Dewdrop fire sculpture. Bring the unique Glowbus® atmosphere indoors with the Growdrop candle holder.



GROWDROP L: CORTEN STEEL



GROWDROP M & L: BLACKENED STEEL



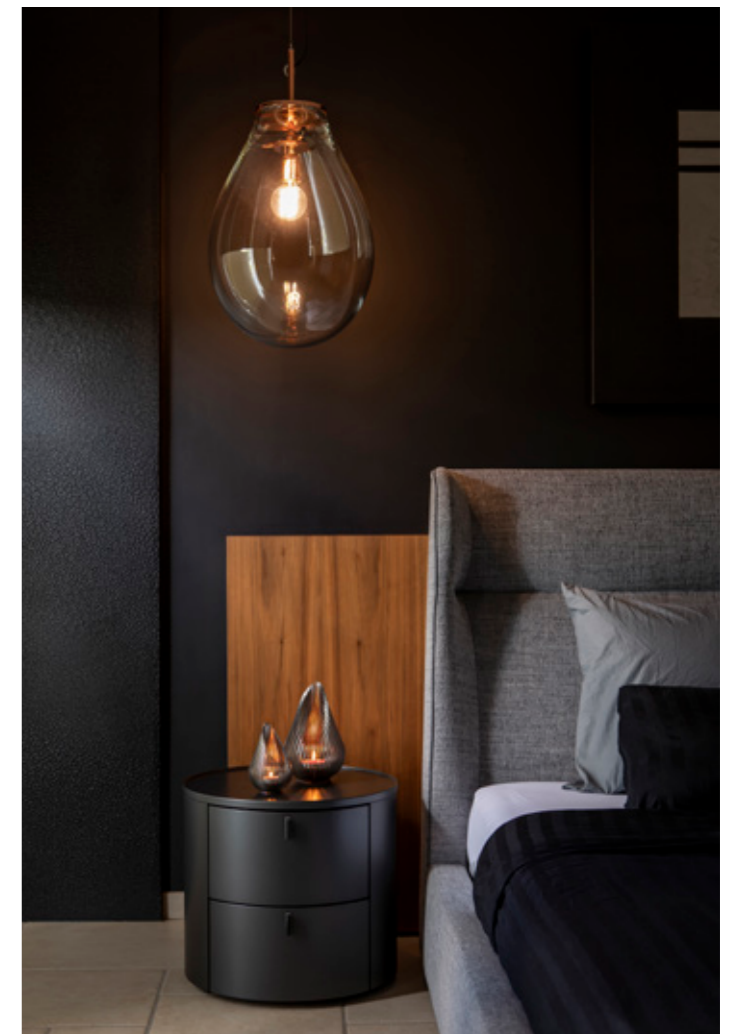
GROWDROP M & L: CORTEN STEEL, STAINLESS STEEL, BLACKENED STEEL

## Design

The Glowbus® Growdrop brings the atmosphere of the Dewdrop into your house. Its timeless design and handmade details make it a genuine eye-catcher.

The Glowbus® Growdrop is available in 2 sizes. On its own or as part of a composition of several pieces, cosiness is guaranteed. Its play of light immediately creates a unique atmosphere where you can dream away.

GROWDROP M & L: STAINLESS STEEL





GROWDROP M & L: STAINLESS STEEL

## Weather resistance

The Glowbus® Growdrops in corten steel or stainless steel can remain outside in wet weather conditions. The blackened steel version can be used outside. A limited rust formation is possible when it's exposed to rain.



GROWDROP M & L: CORTEN STEEL

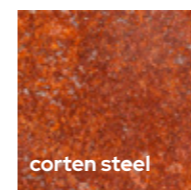


GROWDROP M & L: BLACKENED STEEL

## Materials

Just like its big brother Dewdrop, the Glowbus® Growdrop is handmade from the most durable of materials. You can choose from characterful rusted corten steel or the cleaner and more minimalistic alternatives made of stainless steel or blackened steel.

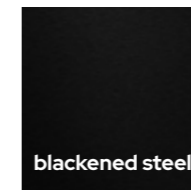
Strong colour fastness was taken into account in the choice of materials for the Growdrops. The rust colour of the corten steel version or the bright colour of the stainless steel version is immediately derived from the natural appearance of these materials. The black version is made of blackened steel, which gives it a deeper black colour, much stronger than is achieved with a painted coat.



corten steel



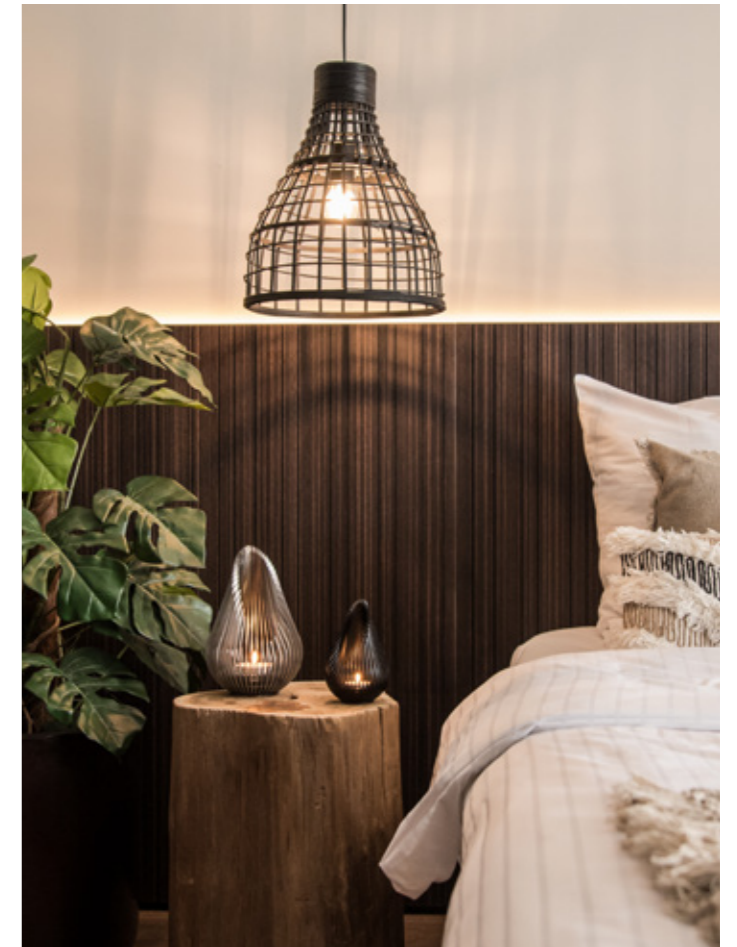
stainless steel



blackened steel

## Maintenance

The Glowbus® Growdrop should only be cleaned occasionally with a soft dusting brush. If you clean the Growdrop with a damp cloth, always use lukewarm water without additives.



GROWDROP L: STAINLESS STEEL    GROWDROP M: BLACKENED STEEL

## Tealight or lantern

The circular recess inside the Glowbus® Growdrop is provided according to the standardised measurements of a tealight or XL tealight. The Growdrop M can accommodate a 39 mm (1.54 in) tealight, while the Growdrop L can be used with a 58 mm (2.28 in) XL tealight or a glass lantern of the same size.

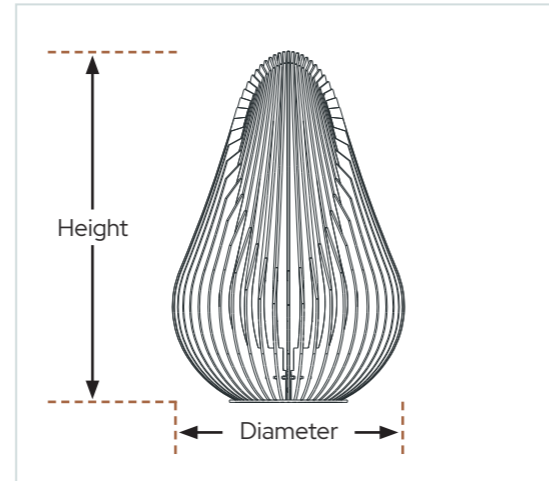


GROWDROP M & L: BLACKENED STEEL



GROWDROP M & L: STAINLESS STEEL

## Growdrop specifications



### Dimensions and weight

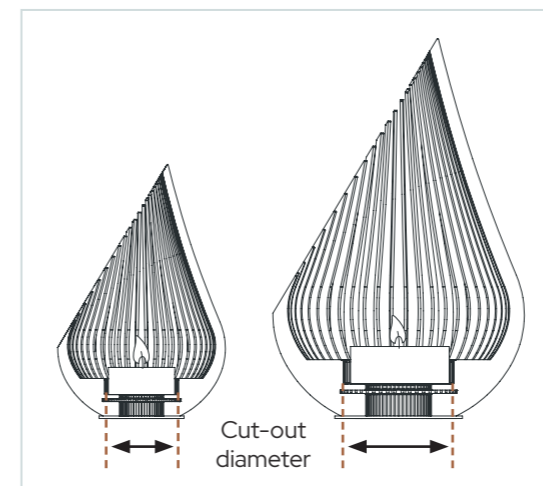
<b>Growdrop M</b>	Height	15 cm	(5.9 in)
	Diameter	10 cm	(3.9 in)
	Weight	0.6 kg	(1.3 lb)
<b>Growdrop L</b>	Height	22 cm	(8.6 in)
	Diameter	15 cm	(5.9 in)
	Weight	1.35 kg	(2.9 lb)



GROWDROP M & L: CORTEN STEEL  
GROWDROP L: BLACKENED STEEL



GROWDROP M: BLACKENED STEEL



### Suitable for

#### Growdrop M

Cut-out diameter  
Suitable for

43 mm (1.69 in)

Tealight 39 mm (1.54 in)



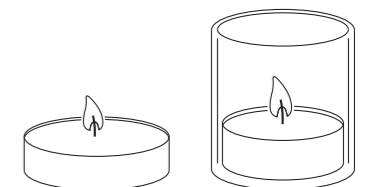
#### Growdrop L

Cut-out diameter  
Suitable for

65 mm (2.56 in)

XL tealight 58 mm (2.28 in)

Glass lantern



## Colophon

Glowbus bv  
Herseltseweg 22  
2431 Laakdal  
Belgium

t. +32 474 74 98 53  
e. [info@glowbus.eu](mailto:info@glowbus.eu)  
w. [www.glowbus.eu](http://www.glowbus.eu)

BE 0755.330.882

Glowbus bv reserves the right to change and update the functional and qualitative details of its products at any time. The texts and drawings in this brochure serve an indicative purpose only, to give readers insight into approximate technical and dimensional aspects, as well as colours and the materials used for construction.

r.p. Andreas Ketels  
Herseltseweg 22  
2431 Laakdal  
Belgium

*"Enjoy your moment,  
share your stories  
and forge beautiful memories."*



glowbus®

Visit us at [www.glowbus.eu](http://www.glowbus.eu)